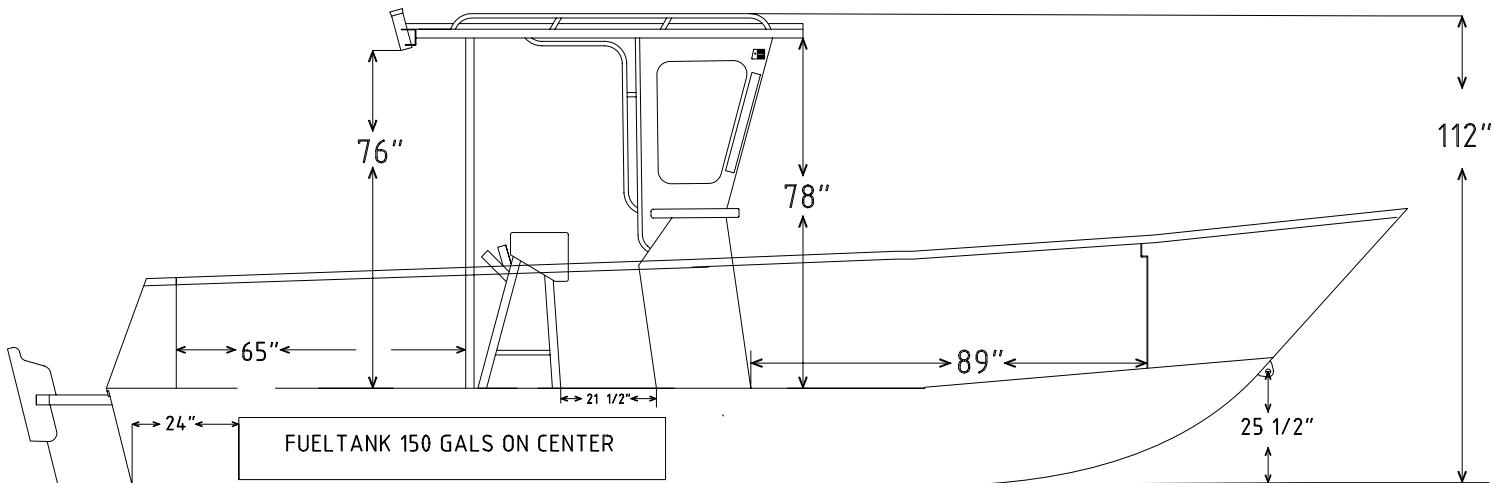
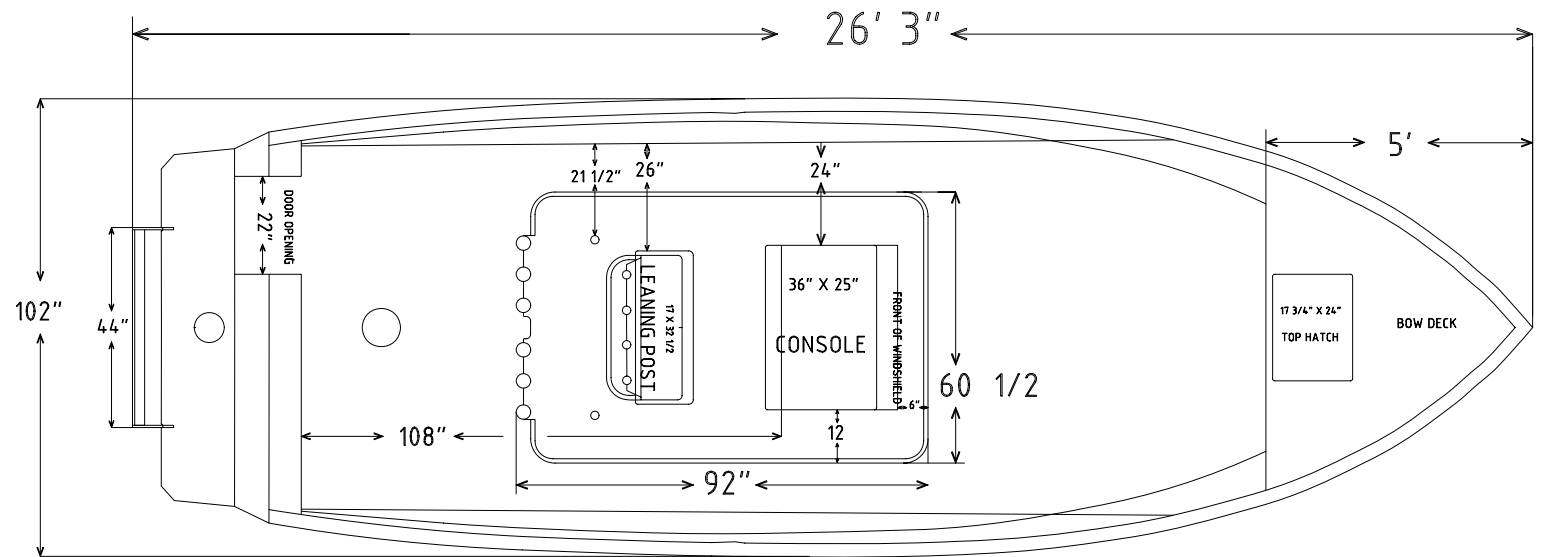


# V 2600 HARD TOP LEANING POST 5' BOW DECK



LENGTH 26' 3"  
 BEAM 102"  
 WEIGHT 3140 LBS.  
 CAPACITY 4600 LBS.  
 MIN. HP. 150 HP.  
 MAX HP. 300 HP.  
 DECK WIDTH 7' 6"

BOTTOM WIDTH 77" @ TRANSOM  
 INSIDE SIDE HEIGHT 29" FWD. 27 1/4" MIDSHIP  
 OUTSIDE SIDE HEIGHT 38"  
 TRANSOM 30"  
 PERSONS CAPACITY 10  
 SINGLE / TWIN ENGINE TRANSOM 44"