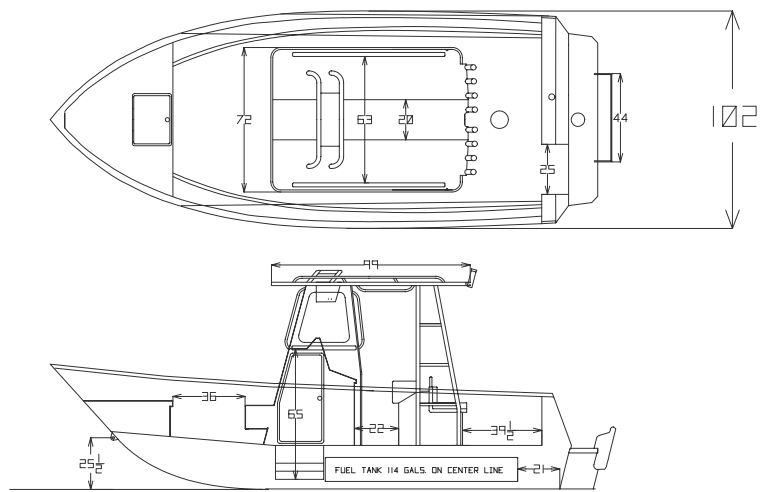


V2325 ST HARD TOP BACK TO BACK SEAT CASTING 4' PLATFORM



LENGTH	23'3"	BOTTOM WIDTH	77" @ TRANSOM
BEAM	102"	INSIDE SIDE HEIGHT	29" FWD. 27 1/4 MIDSHIP
WEIGHT	3300 LBS.	OUTSIDE SIDE HEIGHT	38"
CAPACITY	3000	TRANSOM	25" OR 30"
MIN. HP.	135 HP.	PERSONS CAPACITY	10
MAX. HP.	275 HP.	SINGLE/TWIN ENGINE TRANSOM	44"
DECK WIDTH	7'6"		